

**AC 14 ANCHOR
HIGH HOLDING POWER**



**ANCORA AC 14
ALTO POTERE ANCORANTE**

Finish:

- Hot dipped galvanized
- Black painted

Finitura:

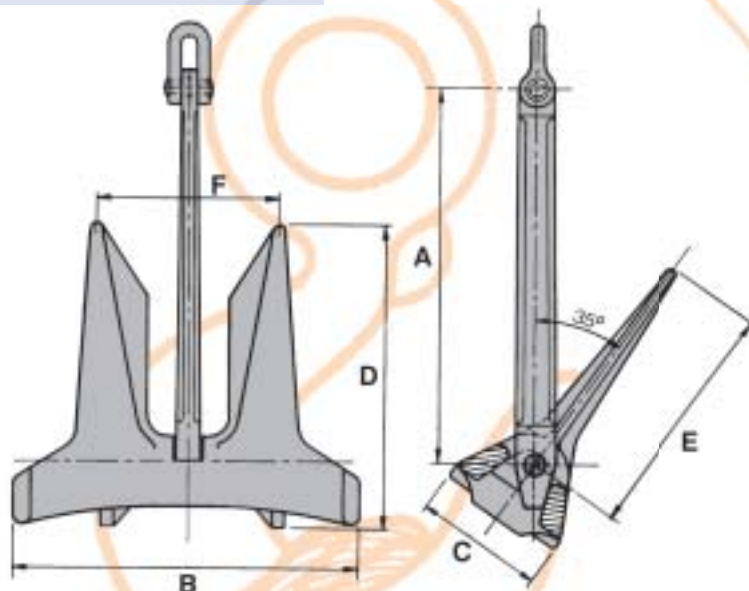
- Zincata a caldo
- Verniciata nera

Certificates:

Italmet can be supplied, upon request, third parties test certificate with IACS member such RINA - LLOYD'S REGISTER OF SHIPPING - BUREAU VERITAS - DNV - others

Certificazione:

Italmet può fornire a richiesta certificazione con Ente di Classifica IACS quali RINA - LLOYD'S REGISTER OF SHIPPING - BUREAU VERITAS - DNV - altri



Codice Code	Peso Weight kg	Dimensions in mm Main dimension					
		A	B	C	D	E	F
AAC14105	105	760	680	210	600	500	360
AAC14180	180	904	811	251	707	550	434
AAC14225	225	974	874	270	762	593	468
AAC14340	340	1109	995	307	867	675	533
AAC14460	460	1227	1101	340	959	747	590
AAC14675	675	1398	1254	387	1093	851	672
AAC14910	910	1540	1382	427	1205	938	740
AAC141140	1140	1660	1490	460	1298	1011	798
AAC141360	1360	1761	1580	488	1377	1072	846
AAC141590	1590	1855	1665	541	1451	1130	892
AAC141820	1820	1940	1741	538	1518	1182	933
AAC142040	2040	2016	1809	559	1576	1227	969
AAC142270	2270	2089	1874	579	1634	1272	1004
AAC142720	2720	2218	1991	615	1735	1351	1066
AAC143040	3040	2302	2066	638	1801	1402	1107
AAC143240	3240	2352	2110	652	1839	1432	1130
AAC143445	3445	2400	2154	665	1877	1462	1154
AAC143670	3670	2451	2200	680	1917	1493	1178
AAC143940	3940	2510	2252	696	1963	1529	1207
AAC144210	4210	2566	2303	711	2007	1563	1234
AAC144500	4500	2624	2355	727	2052	1598	1261
AAC144840	4840	2688	2412	745	2102	1637	1292
AAC145175	5175	2749	2467	762	2141	1674	1321
AAC145515	5515	2808	2520	778	2196	1710	1350
AAC145850	5850	2864	2570	794	2240	1744	1376
AAC146225	6225	2923	2623	810	2286	1780	1405
AAC146525	6525	2970	2665	823	2322	1808	1428
AAC146600	6600	2981	2675	826	2331	1815	1433

Codice Code	Peso Weight kg	Dimensions (mm) Main dimension (mm) (approx)					
		A	B	C	D	E	F
AAC147015	7015	3042	2730	843	2380	1853	1462
AAC147425	7425	3100	2782	859	2425	1888	1490
AAC147875	7875	3162	2837	876	2472	1925	1520
AAC148325	8325	3221	2890	893	2519	1961	1548
AAC148775	8775	3278	2942	909	2563	1996	1576
AAC149225	9225	3333	2991	924	2607	2030	1602
AAC149675	9675	3386	3039	939	2648	2062	1628
AAC1410125	10125	3438	3085	953	2689	2094	1653
AAC1410575	10575	3488	3130	967	2728	2124	1677
AAC1410690	10690	3501	3141	970	2738	2132	1683
AAC1411025	11025	3537	3174	981	2775	2154	1700
AAC1411250	11250	3561	3196	987	2785	2169	1712
AAC1411550	11550	3592	3224	996	2810	2188	1727
AAC1411850	11850	3623	3251	1004	2833	2206	1742
AAC1412075	12075	3646	3272	1011	2851	2220	1753
AAC1412525	12525	3691	3312	1023	2887	2248	1774
AAC1412675	12675	3705	3325	1027	2897	2256	1781
AAC1413200	13200	3759	3370	1041	2937	2287	1805
AAC1413350	13350	3770	3383	1045	2949	2296	1812
AAC1413875	13875	3819	3426	1059	2987	2326	1836
AAC141400	14100	3839	3445	1064	3003	2338	1846
AAC1415000	15000	3919	3517	1086	3065	2387	1884
AAC1416125	16125	4015	3603	1113	3140	2445	1930
AAC1417250	17250	4106	3685	1138	3212	2501	1974
AAC1418375	18375	4194	3763	1163	3280	2554	2016
AAC1419500	19500	4278	3839	1186	3345	2605	2056
AAC1420625	20625	4358	3911	1208	3408	2654	2095
AAC1421750	21750	4436	3980	1230	3469	2701	2132

