

**POOL - ANCHOR
HIGH HOLDING POWER**



**ANCORA "POOL"
ALTO POTERE ANCORANTE**

Finish:

- Hot dipped galvanized
- Black painted

Certificates:

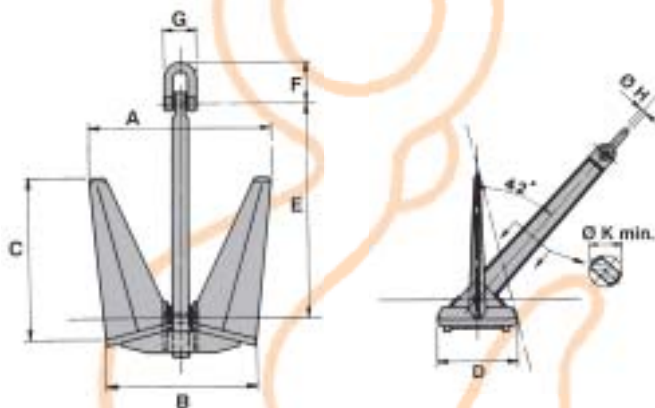
Italmet can be supplied, upon request, third parties test certificate with IACS member such RINA - LLOYD'S REGISTER OF SHIPPING - BUREAU VERITAS - DNV - others

Finitura:

- Zincata a caldo
- Verniciata nera

Certificazione:

Italmet può fornire a richiesta certificazione con Ente di Classifica IACS quali RINA - LLOYD'S REGISTER OF SHIPPING - BUREAU VERITAS - DNV - altri



Codice Code	Peso Ancora Anchor weight kg	Dimensioni (mm) Main dimension (mm) (approx.)								Min Min
		A	B	C	D	E	F	G	Ø H	
AP60	60	555	469	495	262	655	100	74	20	108
AP90	90	631	533	562	298	745	115	84	23	122
AP105	105	669	566	596	316	790	130	94	26	129
AP125	125	699	591	623	330	825	130	94	26	134
AP135	135	724	612	646	342	855	130	94	26	138
AP160	160	767	648	683	362	905	148	105	29	146
AP180	180	796	676	770	377	942	157	115	32	140
AP225	225	858	728	830	406	1016	174	125	36	155
AP270	270	911	774	882	432	1079	174	125	36	160
AP315	315	960	815	928	455	1136	201	140	40	170
AP360	360	1002	852	970	475	1188	201	140	40	180
AP430	430	1062	902	1028	503	1258	201	140	40	190
AP495	495	1115	948	1079	528	1320	201	140	40	195
AP585	585	1180	1002	1141	558	1396	236	175	50	205
AP675	675	1236	1050	1196	586	1465	236	175	50	220
AP765	765	1290	1096	1248	610	1528	236	175	50	225
AP855	855	1338	1138	1295	634	1585	306	225	60	235
AP970	970	1395	1185	1349	660	1652	306	225	60	245
AP1080	1080	1446	1230	1400	685	1714	306	225	60	255
AP1195	1195	1495	1270	1446	708	1771	306	225	60	265
AP1305	1305	1541	1309	1474	730	1825	306	225	60	270
AP1440	1440	1592	1352	1540	754	1886	306	225	60	280
AP1575	1575	1640	1386	1587	777	1942	361	255	75	285
AP1710	1710	1685	1433	1631	799	1997	361	255	75	295
AP1845	1845	1792	1469	1672	819	2048	361	255	75	305
AP1980	1980	1770	1504	1713	838	2098	361	255	75	315
AP2140	2140	1816	1543	1758	860	2151	361	255	75	320
AP2295	2295	1860	1580	1801	880	2202	361	255	75	330
AP2475	2475	1910	1620	1844	904	2260	400	290	80	335
AP2655	2655	1954	1664	1888	925	2312	400	290	80	340
AP2835	2835	1996	1700	1930	945	2364	400	290	80	350
AP3040	3040	2042	1735	1975	968	2418	400	290	80	355
AP3240	3240	2086	1773	2018	988	2471	400	290	80	365

