

**DANFORTH**

[www.italmet.com](http://www.italmet.com)

**italmet**

**ANCORA "DANFORTH"  
ALTO POTERE ANCORANTE**



**DANFORT ANCHOR  
HIGH HOLDING POWER**

**Finitura:**

Verniciata nera

**Finish:**

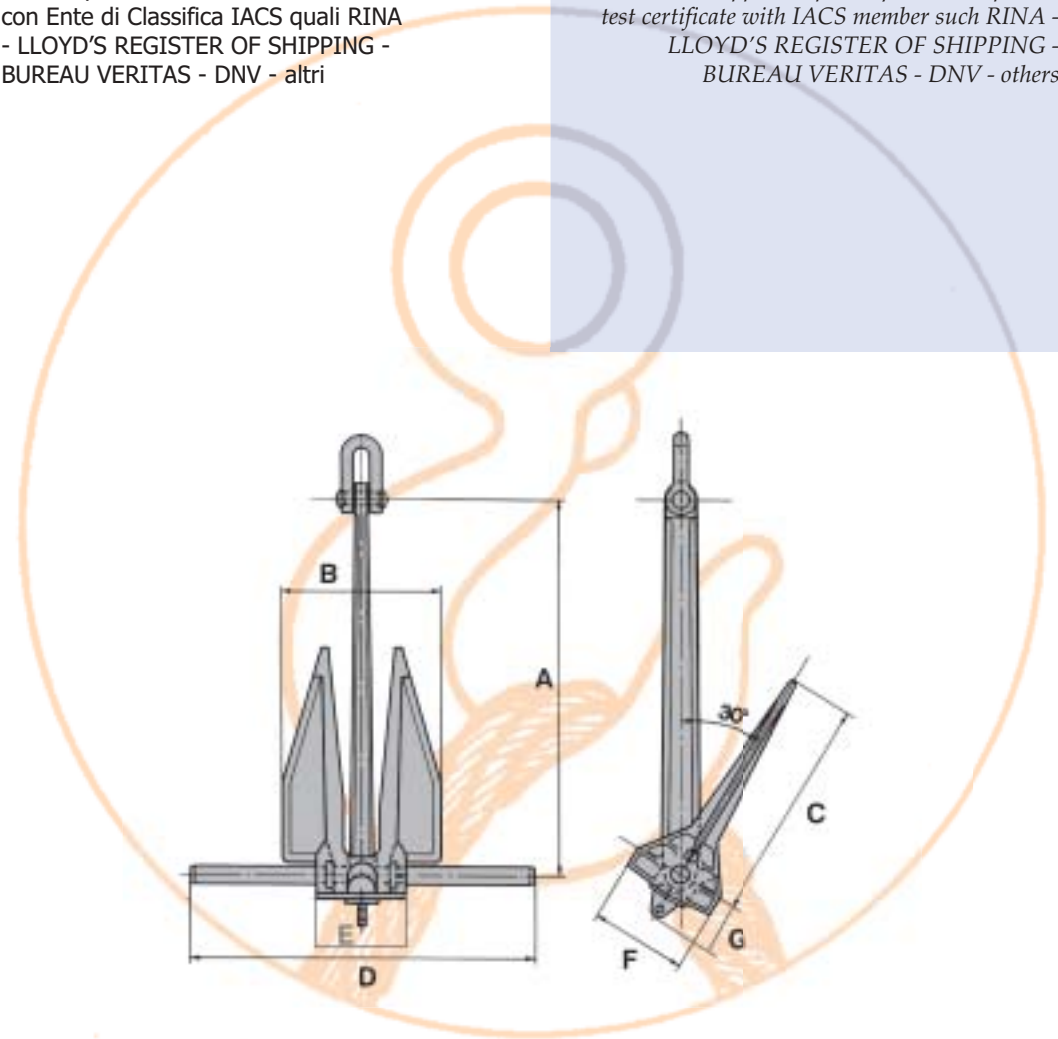
Black painted

**Certificazione:**

Italmet può fornire a richiesta certificazione con Ente di Classifica IACS quali RINA - LLOYD'S REGISTER OF SHIPPING - BUREAU VERITAS - DNV - altri

**Certificates:**

Italmet can be supplied, upon request, third parties test certificate with IACS member such RINA - LLOYD'S REGISTER OF SHIPPING - BUREAU VERITAS - DNV - others



Codice Code	Peso ancora Anchor weight	Dimensions (mm)						
		A	B	C	D	E	F	G
AD225	225	1600	665	975	1340	310	325	85
AD340	340	1720	720	1000	1480	368	370	95
AD445	445	1830	760	1100	1580	395	410	110
AD680	680	1955	815	1180	1690	425	475	135
AD910	910	2100	900	1275	1810	490	525	140
AD1135	1135	2260	930	1350	2140	510	560	145
AD1360	1360	2390	990	1440	2260	540	595	150
AD1820	1820	2640	1050	1590	2550	585	660	170
AD2270	2270	2780	1170	1650	2700	600	710	175
AD2730	2730	2960	1200	1780	2810	640	750	205
AD3180	3180	3120	1260	1880	2960	675	790	215
AD3635	3635	3260	1320	1960	3090	700	825	225
AD4080	4080	3380	1370	2040	3210	730	860	235
AD4540	4540	3510	1420	2100	3330	755	890	240
AD5445	5445	3730	1510	2240	3540	805	945	255
AD6350	6350	3920	1590	2360	3720	845	995	270
AD7260	7260	4100	1660	2470	4000	885	1040	280
AD8165	8165	4270	1730	2560	4080	920	1080	295
AD9075	9075	4370	1770	2620	4150	945	1110	300
AD11345	11345	4710	1910	2820	4470	1020	1195	325
AD13620	13620	5000	2025	3000	4750	1080	1270	345

