

HEAVY DUTY STUB-END
THIMBLES SUITABLE FOR WIRE-ROPE



RADANCIA PESANTE
PER FUNI METALLICHE

Material:
Mild steel

Finish:
Galvanised

Certificates upon request:
• "EC" declaration of conformity

Materiale:
Acciaio al carbonio

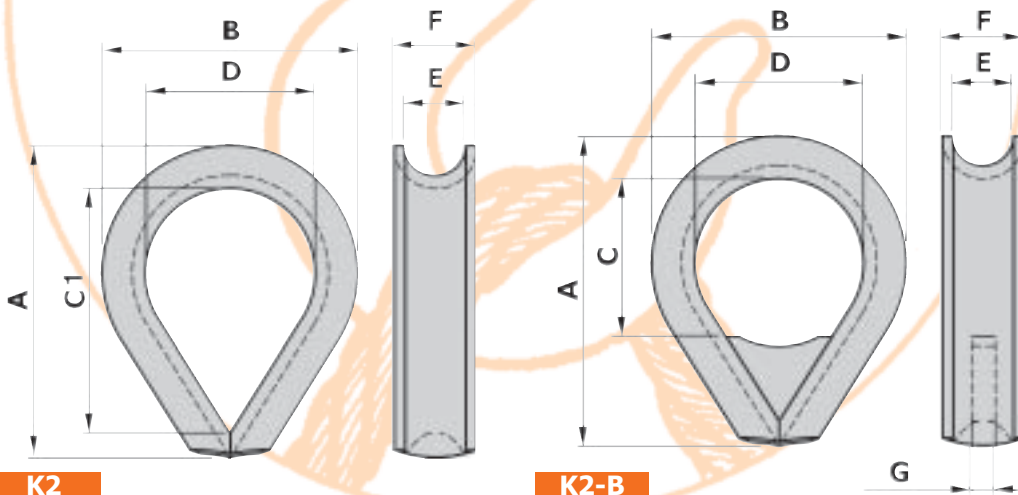
Finitura:
Zincata a caldo

Certificazione su richiesta:
• Certificato di conformità "CE"

K2



K2-B



K2

K2-B

Codice	Codice	Ø fune	A	B	C	C1	D	E	G	F	Peso unit.
Code	Code	Ø rope	Inch	mm	mm	mm	mm	mm	mm	mm	W. each
K2-2"	-	5-8	2"	42		35	22	9		14	0,08
K2-2,5"	-	8-10	2 1/2"	50		45	30	11		16	0,10
K2-3"	-	12	3"	50		55	35	13		18	0,20
K2-3,5"	-	14	3 1/2"	73		65	45	15		20	0,26
K2-4"	K2B-4"	16	4"	75	50	75	50	17	5	22	0,40
K2-4,5"	K2B-4,5"	18	4 1/2"	85	50	80	53	19	5	25	0,50
K2-5"	K2B-5"	20	5"	100	60	90	60	21	5	29	0,80
K2-5,5"	K2B-5,5"	22	5 1/2"	110	60	95	65	23	5	33	0,90
K2-6"	K2B-6"	24	6"	115	70	120	70	25	10	34	1,00
K2-7"	K2B-7"	26-28	7"	135	75	140	80	30	10	38	1,70
K2-8"	K2B-8"	30-32	8"	155	80	160	100	33	10	44	2,50
K2-9"	K2B-9"	34-36	9"	175	110	185	115	38	10	49	4,00
K2-10"	K2B-10"	38-40	10"	190	120	195	120	41	15	52	4,50
K2-11"	K2B-11"	42-44	11"	210	140	215	130	46	15	60	7,00
K2-12"	K2B-12"	46-48	12"	225	150	240	140	52	15	65	8,30
K2-14"	K2B-14"	50-52	14"	240	185	250	150	56	20	68	12,50
K2-17"	K2B-17"	54-58	17"	290	225	310	180	70	20	82	19,50
K2-19"	K2B-19"	60-68	19"	320	280	360	220	81	20	119	29,00
K2-22"	K2B-22"	70-80	22"	375	280	405	240	92	20	127	35,00
K2-24"	K2B-24"	90-100	24"	410	280	450	250	105	25	145	42,00
K2-26"	K2B-26"	130	26"	450	280	480	280	130	30	155	58,00

Special dimensions on request. Tolerance 5%