

**CAPOCORDA CHIUSO
CR-SPELTER, TIPO CORTO**

**C.R. CLOSED SPELTER
SOCKET, SHORT BOW TYPE**
Materiale:

Acciaio colato ASTM A 352 LCC

Coefficiente di sicurezza:

CMU 1:5 Carico di rottura

Finitura:

- Zincato a caldo

Certificazione:

- Certificato di conformità "CE"
- Certif. 3.1.B. a norma EN 10204 su richiesta
- Italmet può fornire a richiesta certificazione con Ente di Classifica IACS quali RINA - LLOYD'S REGISTER OF SHIPPING - BUREAU VERITAS - DNV - altri

Material:

Cast steel ASTM A 352 LCC

Safety factor:

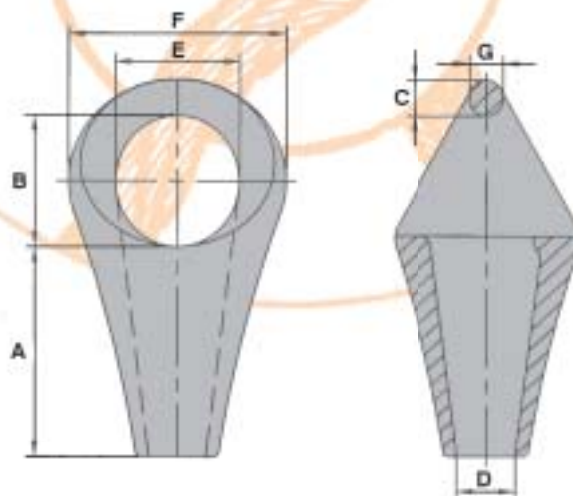
WLL 1:5 Breaking force

Finish:

- Galvanised

Certificates:

- "EC" declaration of conformity
- Certificate 3.1.B. in acc. to EN 10204 on request
 - Italmet can be supplied, upon request, third parties test certificate with IACS member such RINA - LLOYD'S REGISTER OF SHIPPING - BUREAU VERITAS - DNV - others



Codice Code	Misura Size	Ø Funne Ø Rope		CMU WLL	MBL MBL	Dimensioni / Main dimension							Peso un Weight pcs
		mm	inch			A	B	C	D	E	F	G	
S04#512	512	31-36	1 1/4-1 3/8	28	140	140	85	38	39	75	124	35	6,5
S04#517	517	38-42	1 1/2-1 5/8	32	160	160	110	42	44	92	130	38	10
S04#519	519	43-48	1 3/4-1 7/8	40	200	188	128	50	51	110	180	45	17
S04#522	522	49-54	2-2 1/8	50	250	215	125	55	57	115	200	50	23
S04#524	524	55-60	2 1/4-2 3/8	60	300	230	145	64	63	135	220	57	33
S04#526	526	61-68	2 1/2-2 5/8	80	400	250	160	75	73	160	265	65	50
S04#527	527	69-75	2 3/4-2 7/8	100	500	280	175	80	79	170	278	70	59
S04#528	528	76-80	3-3 1/8	120	600	315	210	85	86	184	300	75	74
S04#529	529	81-86	3 1/4-3 3/8	140	700	340	205	100	92	204	320	90	89
S04#530	530	87-93	3 1/2-3 5/8	160	800	360	220	105	99	215	340	95	104
S04#531	531	94-102	3 3/4-4	180	900	380	240	110	108	234	376	100	134
S04#533	533	108-115	4 1/4-4 1/2	200	1000	450	260	125	120	252	400	110	180