

**CAPOCORDA  
A CUNEO**

**OPEN  
WEDGE SOCKET**
**Materiale:**

Acciaio colato ASTM A 352 LCC

**Material:**

Cast steel ASTM A352 LCC

**Coefficiente di sicurezza:**

CMU 1:5 Carico di rottura

**Safety factor:**

WLL 1:5 Breaking force

**Norma di riferimento:**

EN 13411.6

**Standard:**

EN 13411.6

**Finitura:**

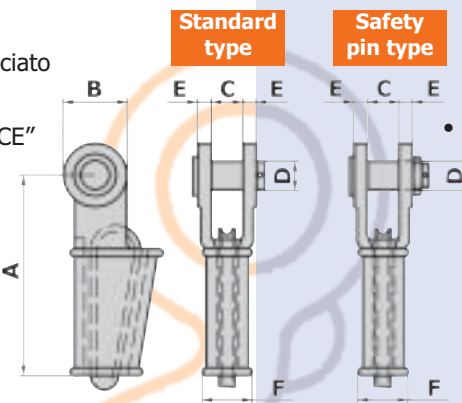
Zincato a caldo oppure verniciato

**Finish:**

Painted or Galvanised

**Certificazione:**

- Certificato di conformità "CE"
- Certificato 3.1.B. a norma EN 10204
- Italmet può fornire a richiesta certificazione con Ente di Classifica IACS quali RINA - LLOYD'S REGISTER OF SHIPPING - BUREAU VERITAS - DNV - altri



- "EC" declaration of conformity
- Certificate 3.1.B in accordance to EN 10204
- Italmet can be supplied, upon request, third parties test certificate with IACS member such RINA - LLOYD'S REGISTER OF SHIPPING - BUREAU VERITAS - DNV - others

**OPEN WEDGE SOCKET STANDARD - CAPOCORDA A CUNEO STANDARD**

Codice/Code Zincato Galvanised	Codice/Code Verniciato Painted	Misura Size	Ø Funne Ø Wire		CMU WLL t	Dimensioni / Main dimension						Peso un Weight pcs kg
			mm	inch		A	B	C	D	E	F	
S03#05G	-	05	9-10	3/8	10	122	47	20	21	11	26	2
S03#1G	-	1	11-13	1/2	16	146	57	25	25	12	32	3
S03#2G	-	2	14-16	5/8	25	176	70	31	30	15	44	4
S03#3G	-	3	18-19	3/4	32	212	80	38	35	16	44	6
S03#4G	-	4	20-22	7/8	45	240	96	44	41	19	52	9
S03#5G	-	5	24-26	1	70	274	114	51	50	22	58	15
S03#6G	S03#6P	6	28	1 1/8	100	310	130	57	57	25	66	20
S03#7G	S03#7P	7	32	1 1/4	125	350	146	63	64	28	79	25
S03#8G	S03#8P	8	35	1 3/8	125	400	148	69	64	28	79	38
S03#9G	S03#9P	9	38	1 1/2	150	450	160	76	70	30	93	55
S03#10G	S03#10P	10	41	1 5/8	200	500	174	76	76	33	95	66
S03#11G	S03#11P	11	44-48	1 3/4 - 1 7/8	260	550	200	89	89	39	111	90
S03#12G	S03#12P	12	51	2	280	650	200	101	95	46	140	142
S03#13G	S03#13P	13	56	2 1/4	360	660	250	114	108	54	136	172
S03#14G	S03#14P	14	63	2 1/2	450	840	270	127	121	60	161	271
S03#15G	S03#15P	15	75	3	520	1000	300	146	133	76	186	437

**OPEN WEDGE SOCKET SAFETY PIN - CAPOCORDA A CUNEO PERNO E COPPIGLIA**

Codice/Code Zincato Galvanised	Codice/Code Verniciato Painted	Misura Size	Ø Funne Ø Wire		CMU WLL t	Dimensioni / Main dimension						Peso un Weight pcs kg
			mm	inch		A	B	C	D	E	F	
S03SP#05G	-	05	9-10	3/8	10	122	47	20	21	11	26	2
S03SP#1G	-	1	11-13	1/2	16	146	57	25	25	12	32	3
S03SP#2G	-	2	14-16	5/8	25	176	70	31	30	15	44	4
S03SP#3G	-	3	18-19	3/4	32	212	80	38	35	16	44	6
S03SP#4G	-	4	20-22	7/8	45	240	96	44	41	19	52	9
S03SP#5G	-	5	24-26	1	70	274	114	51	50	22	58	15
S03SP#6G	S03SP#6P	6	28	1 1/8	100	310	130	57	57	25	66	20
S03SP#7G	S03SP#7P	7	32	1 1/4	125	350	146	63	64	28	79	25
S03SP#8G	S03SP#8P	8	35	1 3/8	125	400	148	69	64	28	79	38
S03SP#9G	S03SP#9P	9	38	1 1/2	150	450	160	76	70	30	93	55
S03SP#10G	S03SP#10P	10	41	1 5/8	200	500	174	76	76	33	95	66
S03SP#11G	S03SP#11P	11	44-48	1 3/4 - 1 7/8	260	550	200	89	89	39	111	90
S03SP#12G	S03SP#12P	12	51	2	280	650	200	101	95	46	140	142
S03SP#13G	S03SP#13P	13	56	2 1/4	360	660	250	114	108	54	136	172
S03SP#14G	S03SP#14P	14	63	2 1/2	450	840	270	127	121	60	161	271
S03SP#15G	S03SP#15P	15	75	3	520	1000	300	146	133	76	186	437

Tolerance 5%