

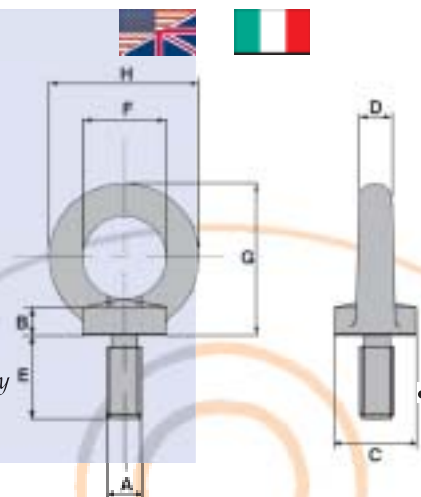
**LIFTING EYES BOLT
DIN 580**

Material:
Steel C 15E UNI EN10084

Safety factor:
WLL 1:4 Breaking force

Finish:
• Galvanised Fe/Zn 5c 1 A
• Selfcoloured

Certificates upon request:
• "EC" declaration of conformity



**GOLFARI MASCHI
DIN 580**

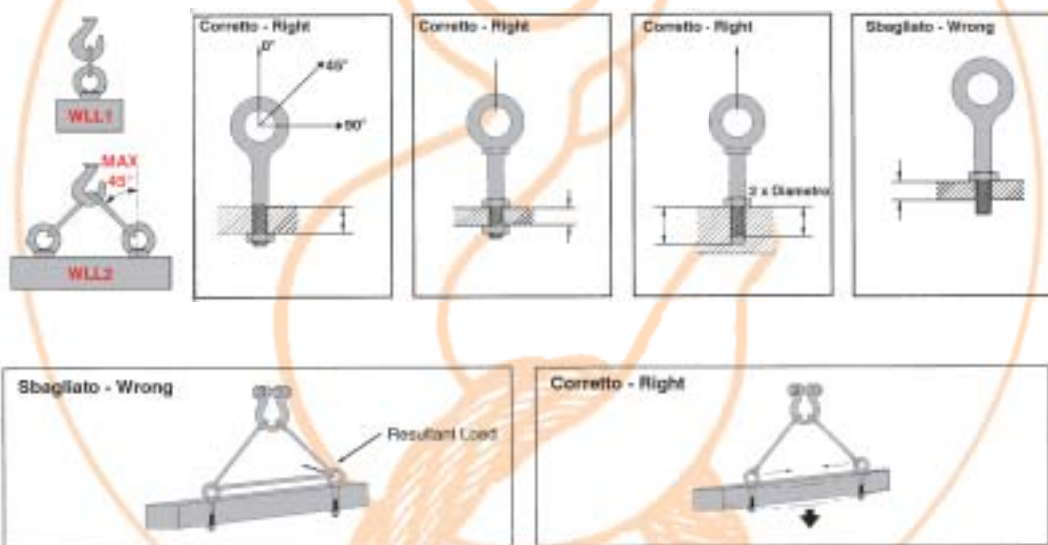
Materiale:
Acciaio C 15E UNI EN10084

Coefficiente di sicurezza:
CMU 1:4 Carico di rottura

Finitura:
• Zincatura Fe/Zn 5c 1 A
• Grezzo di forgiatura

Certificazione su richiesta:
• Certificato di conformità "CE"

**GOLFARI
DIN 580**



Code	Code	A	Passo Pitch	B mm	C mm	D mm	E mm	F mm	G mm	H mm	Peso (gr) Weight (gr)	WLL1 kg	WLL2 kg
GOLFMZM6	GOLFMNM6	M6	1	6	14	6	11,0	14	27	26	20	75	50
GOLFMZM8	GOLFMNM8	M8	1,25	6	20	8	13,0	20	36	36	60	140	95
GOLFMZM10	GOLFMNM10	M10	1,5	8	25	10	17,0	25	45	45	110	230	170
GOLFMZM12	GOLFMNM12	M12	1,75	10	30	12	20,5	30	53	54	180	340	240
GOLFMZM14	GOLFMNM14	M14	2	10	30	12	20,5	30	53	54	190	500	320
GOLFMZM16	GOLFMNM16	M16	2	12	35	14	27,0	35	62	63	280	700	500
GOLFMZM18	GOLFMNM18	M18	2,5	12	35	14	27,0	35	62	63	290	930	600
GOLFMZM20	GOLFMNM20	M20	2,5	14	40	16	30,0	40	71	72	450	1200	830
GOLFMZM22	GOLFMNM22	M22	2,5	14	40	16	30,0	40	71	72	465	1500	1000
GOLFMZM24	GOLFMNM24	M24	3	18	50	20	36,0	50	90	90	740	1800	1270
GOLFMZM27	GOLFMNM27	M27	3	18	55	21	41,0	55	100	96	1015	2700	1900
GOLFMZM30	GOLFMNM30	M30	3,5	22	65	24	45,0	60	109	108	1660	3600	2600
GOLFMZM33	GOLFMNM33	M33	3,5	26	75	28	54,0	70	128	126	2625	4300	3000
GOLFMZM33F	GOLFMNM33F	M33	2	26	75	28	54,0	70	128	126	2625	4300	3000
GOLFMZM36	GOLFMNM36	M36	4	26	75	28	54,0	70	128	126	2650	5100	3700
GOLFMZM36F	GOLFMNM36F	M36	3	26	75	28	54,0	70	128	126	2650	5100	3700
GOLFMZM42	GOLFMNM42	M42	4,5	30	85	32	63,0	80	147	144	4030	7000	5000
GOLFMZM42F	GOLFMNM52F	M42	3	30	85	32	63,0	80	147	144	4030	7000	5000
GOLFMZM48	GOLFMNM48	M48	5	35	100	38	68,0	90	168	166	6380	8600	6100
GOLFMZM48F	GOLFMNM48F	M48	3	35	100	38	68,0	90	168	166	6380	8600	6100
GOLFMZM56	GOLFMNM56	M56	5,5	38	110	42	78,0	100	187	184	8800	11500	8300
GOLFMZM56F	GOLFMNM56F	M56	4	38	110	42	78,0	100	187	184	8800	11500	8300
GOLFMZM64	GOLFMNM64	M64	6	42	120	48	90,0	110	208	206	12400	16000	11000
GOLFMZM64F	GOLFMNM64F	M64	4	42	120	48	90,0	110	208	206	12400	16000	11000

WLL1= CARICO LIMITE DI LAVORO RIFERITO ALL'IMPIEGO DI UN GOLFARE
WLL2= CARICO LIMITE DI LAVORO RIFERITO ALL'IMPIEGO DI DUE GOLFARI